

**LPMS**  
USA

Low Pressure Molding  
Solutions from Design  
to Production

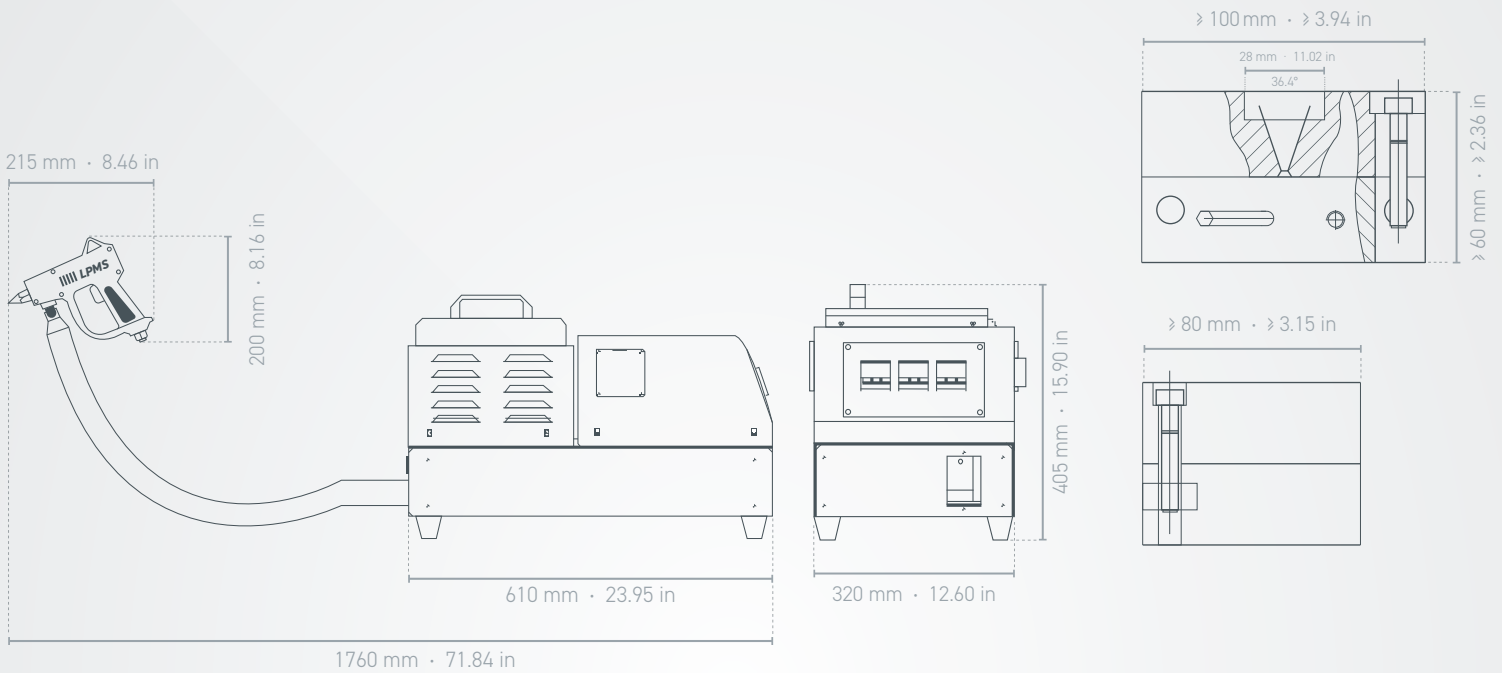


## ALPHA 120J

3 liter melting tank  
with LPMS hand-held gun

- ◆ Separate high volume melting tank
- ◆ 3 thermal control zones for precise melt control
- ◆ Critical components (gear pump, valve and nozzle) are designed for hotmelt adhesive
- ◆ Time relay option injection time control
- ◆ Mold set has self lock device for large part compatible with clamped and fixtured mold-sets

## Dimensions



Machine

Mold Set

## Specifications

<b>Machine Size</b>	610 × 320 × 405 mm · 23.95 × 12.60 × 15.90 in · 95 lbs
<b>Electricity</b>	200–240 VAC · 1 Phase · 50 Hz
<b>Air Pressure</b>	0.5–6.0 MPa · 7.3–87.0 psi
<b>Air Volume</b>	3.5 ft <sup>3</sup> /min · 0.1 m <sup>3</sup> /min
<b>Clamping Method</b>	N/A
<b>Clamping Force</b>	N/A
<b>Clamping Stroke</b>	N/A
<b>Max. Mold Size</b>	Depends on part design
<b>Nozzle</b>	LPMS-G10
<b>Melt Tank Model / Volume</b>	EMTT03 · 3L
<b>Temperature Control Zones</b>	3